

SF .4 FLAG POLES



SF .4.1 General Criteria

Height and Diameter of Flagpole

Flagpoles should have a standard height of 29 feet, a butt diameter of 5" and a top diameter of 3".

Mountings of Flagpole

The flagpoles will be ground mounted and attached to a reinforced concrete footing of a suitable size with an anchor bolt assembly. The footing should be constructed to withstand seasonal elements and wind speeds.

Break-away Flagpoles

Flagpoles should be constructed and installed with a "break-away" feature that will minimize personal injury and property damage in the event of a vehicular impact.

Location and Setbacks for Flagpole

The location of the flagpoles will be determined on a site-by-site basis and subject to the City of Toronto standard setbacks including but not limited to a minimum of 0.5m from the back of the curb, maintaining a 5.5m min. clearance from the paved portion of the road to the bottom of the flag, maintaining a 2.75m min. clearance from the sidewalk to the bottom of the flag, and satisfying the setbacks set by the Utility Companies for overhead wires and underground cables, conduits and feeds. Flagpoles must be installed no less than 1.0m from any hydro poles and any infrastructure mounted on those poles (ie. flags) must be 3.0m (10 ft.) away from the existing hydro lines. In general, flagpoles should be aligned with other streetscape elements such as lighting fixtures and decorative banner poles. Further, flagpoles installed must be no less than 1.0 m away from any hydro poles and any infrastructure mounted on those poles.

Material and Colour of Flagpole

The flagpole should be fabricated of aluminum due to its relative low cost and weather resistance. The flagpole should have a black anodized finish that is consistent with the other streetscape elements (ie. decorative banner poles, lighting fixtures). The top should have a revolving black cap fabricated of aluminum.

Rigging of Flagpole

The flagpole should have an internal halyard system with a locked door that will prevent unauthorized tampering, and allow the flag to be easily raised and lowered for half-masting and maintenance.

Dimensions of Canadian Flag

The flag should have a 2:1 ratio of length to width as described by the Canadian Heritage Department. The size of the flag should be a standard 4'6" x 9' to ensure consistency with the height of the pole.

Number of Canadian Flags per Flagpole

A total of three Canadian flags should be provided per flagpole (one flag to be raised with the flagpole and two replacement flags). Only the Canadian flag will be flown on the flagpole.

Material and Colour of Canadian Flag

Each Canadian flag should be made of high quality nylon with lock stitching to provide optimal durability. The Colour should adhere to the Canadian Heritage Guidelines: the painting colours are FIP red No. 509-211 and white (513-201, the printing ink is FIP red - General Printing Ink No. 0-712, Inmont Canada Ltd No. 4T51577, Monarch Inks No. 62539/0 or Sinclair and Valentine No. RL163929/0).

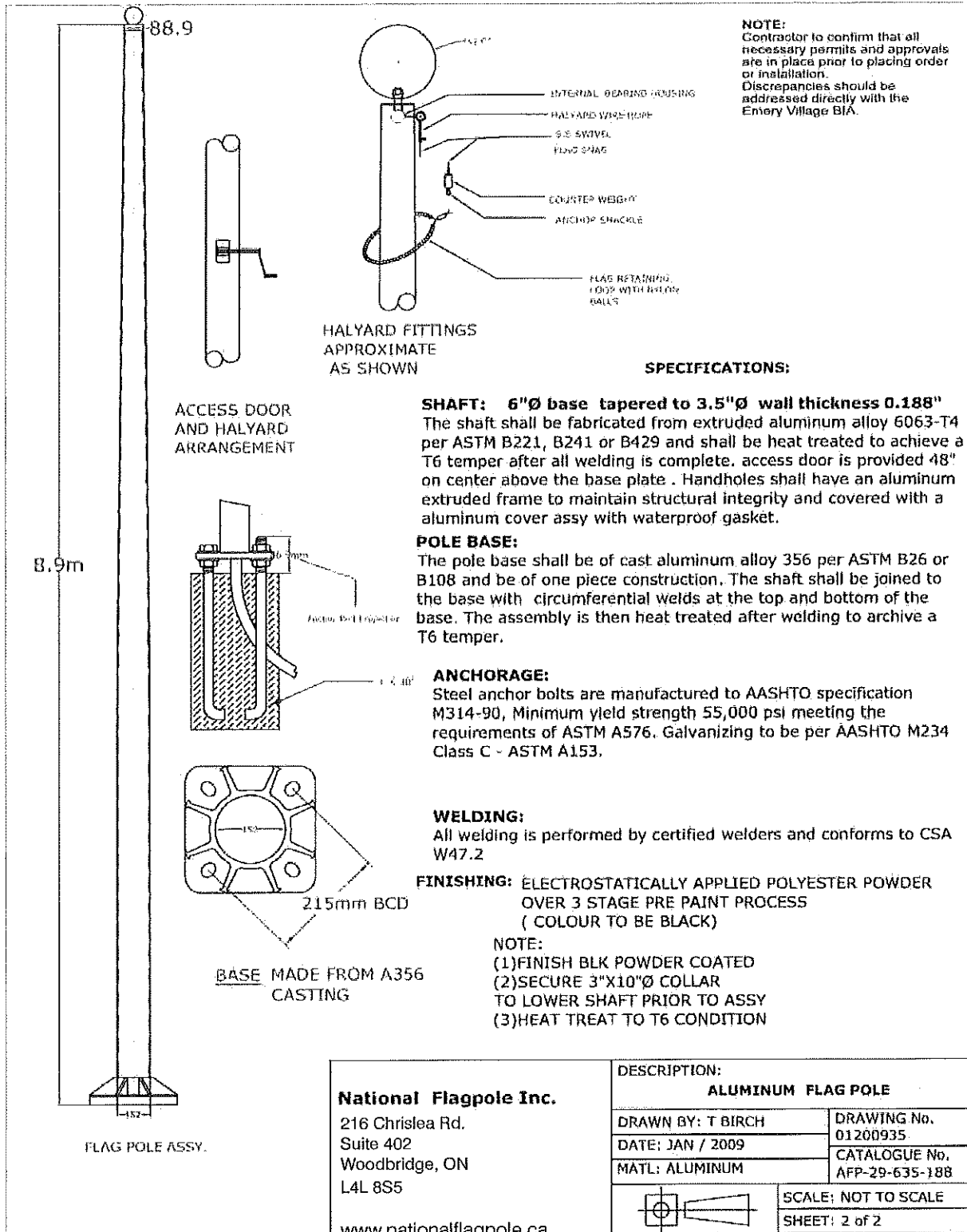
Payment-in-lieu of Flagpole

There will be instances where flagpoles cannot be located within the right-of-way portion of the roadway due to conflicts with utilities and the inability to achieve the required setbacks. In these instances, the landowner will make a payment-in-lieu of the flagpole to the Emery Village BIA for the cost of the flagpole.

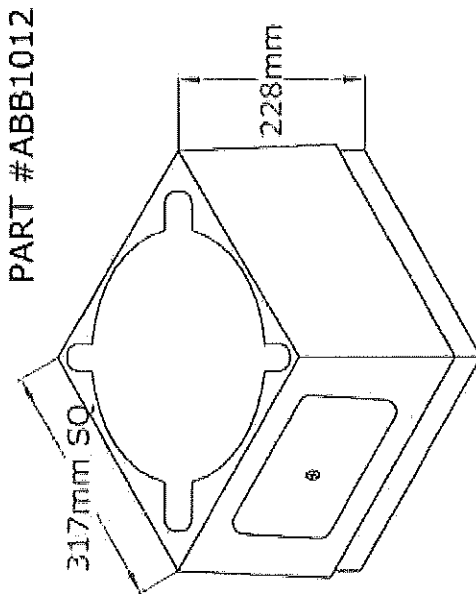
Number of Flagpoles per Lot Frontage

Landowners with property frontages less than or equal to 30m (100 ft) are required to include at least one flagpole within the public portion of the road right-of-way. Properties with frontages greater than 30.0m (100 ft.) are required to include two or more flagpoles within the public portion of the road right-of-way, to be determined on a site-by-site basis in consultation with the Emery Village BIA. The location and design details of flagpoles should be shown on all development approval, site plan and tender drawings.

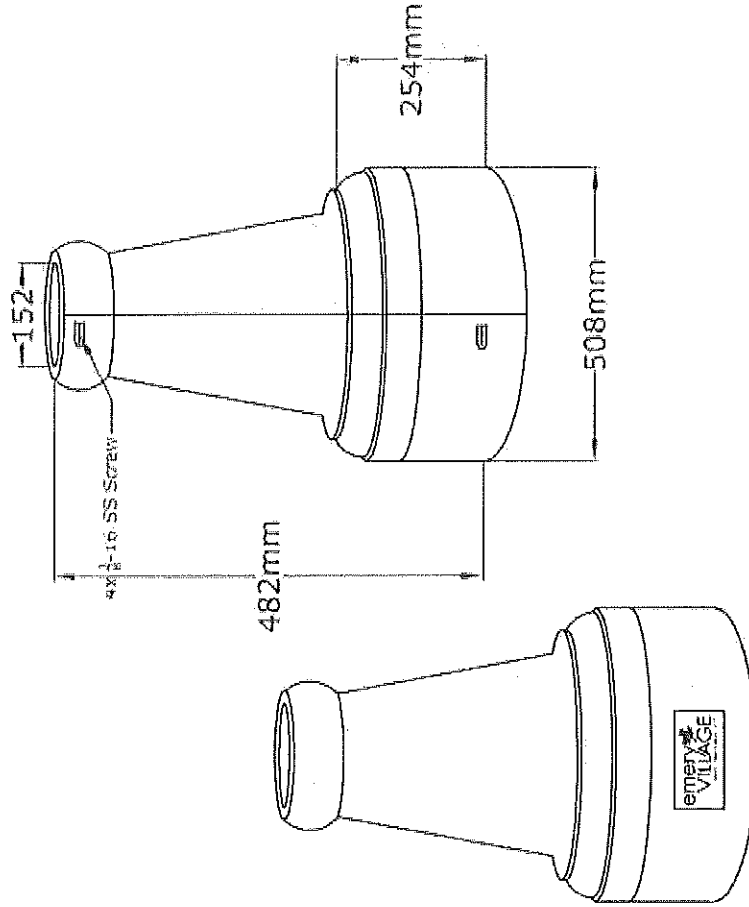
SF .4.2 Flagpole Installation Detail 1 of 3



SF .4.3 Flagpole Installation Detail 2 of 3



Breakaway Base features:
 266mm to 304mm BCD at
 the top
 and 254mm-323mm BCD
 at the bottom



NOTE:
 FINISH BLK POLYESTER POWDER COATED
 EMERY VILLAGE TO BE ON NAME PLATE
 EMOSS ON POLE BASE WITH MAPLE LEAF SYMBOL
 ALL CAST BASE IS MADE FROM 356 ALUMINUM ALLOYED

NOTE:
 Contractor to confirm that all necessary permits and approvals are in place
 prior to placing order or installation.
 Discrepancies should be addressed directly with the Emery Village BIA.

National Flagpole Inc. 216 Chrislea Rd. Suite 402 Woodbridge, ON L4L 8S5 www.nationalflagpole.ca	DESCRIPTION: Decorative Cast Base
	DRAWN BY: T BIRCH DRAWING No. 01200935
	DATE: JAN / 2009 CATALOGUE No. DCB-6205
	MTL: ALUMINUM SCALE: NOT TO SCALE SHEET: 1 of 2

SF .4.4 Flagpole Installation Detail 3 of 3

